

WI1016 Round Rotary Potentiometer



Features

- Single Turn
- Cermet
- Industrial / Sealed
- Wide Resistance Range

Electrical Characteristics

Standard Resistance Range
100 to 5 megohms
(see standard resistance table)

Resistance Tolerance
±20% or ±10%
(tighter tolerance available)

Absolute Minimum Resistance
1% or 10 ohms max.
(whichever is greater)

Contact Resistance Variation
5% or 5 ohms max.
(whichever is greater)

Adjustability
Voltage ±0.05%
Resistance ±0.15%

Resolution
Infinite

Insulation Resistance
500 vdc
1,000 megohms min.

Dielectric Strength
101.3 kPa 800 vac
8.5 kPa 500 vac

Adjustment Angle
225° nom.

Environmental Characteristics

Power Rating (500 volts max.)
1.5 watt (70°C), 0 watt (125°C)

Temperature Range
-55°C to +125°C

Temperature Coefficient
±250ppm/°C or ±100ppm/°C

Vibration
98 m/s²
(2% Δ TR; 2% Δ VR)

Shock
490 m/s²
(2% Δ TR; 2% Δ VR)

Load Life
1,000 hours 1.5 watt @ 70°C
(10% Δ TR; 6% or 6 ohms, Whichever is greater, CRV)

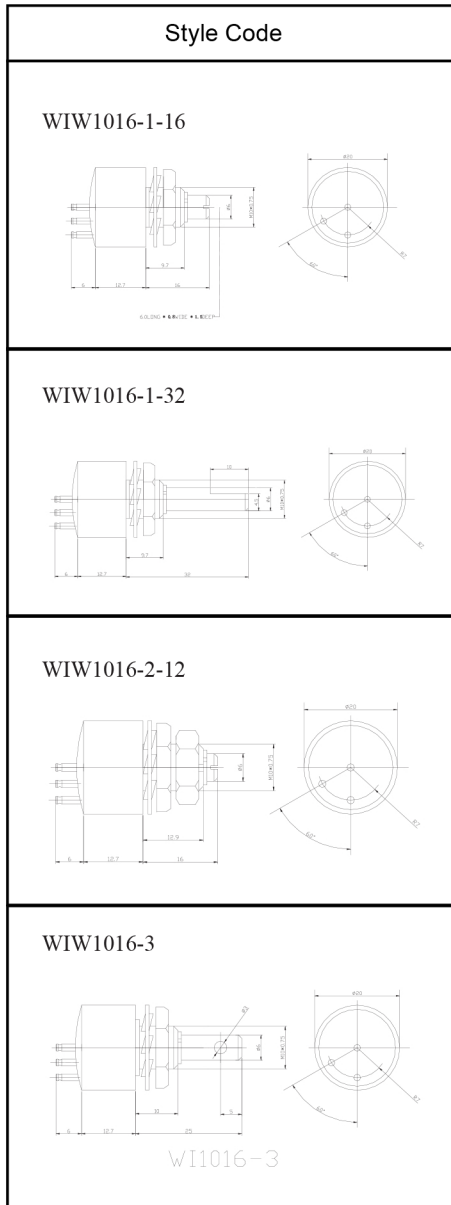
Rotational Life
10,000 cycles
(15% Δ TR; 6% or 6 ohms, Whichever is greater, CRV)

Physical Characteristics

Mechanical Angle
260° nom.

Torque
50 mN • m max.

Stop Strength
350 mN • m min.



How to order

WI1016-1-102

Model

Style

Resistance Code

Standard Resistance Table

Resistance (Ohms)	Resistance Code
100	101
200	201
500	501
1,000	102
2,000	202
5,000	502
10,000	103
20,000	203
25,000	253
50,000	503
100,000	104
200,000	204
250,000	254
500,000	504
1,000,000	105
2,000,000	205
5,000,000	505

Special resistance available

Detail Specification: Q/R514-2003

