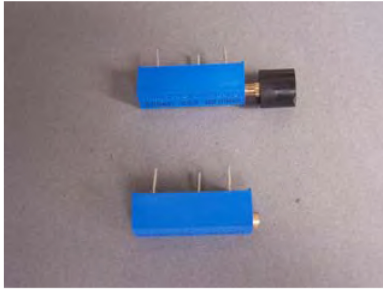


# WIW1012 (3006) Trimmer Potentiometer



## Features

- 3/4" Rectangular / Multiturn
- Cermet / Industrial / Sealed
- Available with a knob for finger adjust
- Available with extended shaft

## Electrical Characteristics

Standard Resistance Range  
10 to 2.2 Megohms  
(see standard resistance table)

Resistance Tolerance  
±10% std.  
(tighter tolerance available)

Absolute Minimum Resistance  
2 ohms max.

Contact Resistance Variation  
3% or 3 ohms max.  
(whichever is greater)

Adjustability  
Voltage ±0.05%  
Resistance ±0.15%

Resolution  
Infinite

Insulation Resistance  
500 vdc  
1,000 Megohms min.

Dielectric Strength  
101.3 kPa 600 vac  
8.5 kPa 350 vac

Adjustment Angle: 22 turns min

## Environmental Characteristics

Power Rating (315 volts max.)  
0.5 watt (70°C), 0 watt (125°C)

Temperature Range  
-55°C to +125°C

Temperature Coefficient  
±100ppm/°C

Vibration  
98 m/s<sup>2</sup>  
(1% Δ TR; 1% Δ VR)

Shock  
390 m/s<sup>2</sup>  
(1% Δ TR; 1% Δ VR)

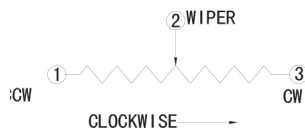
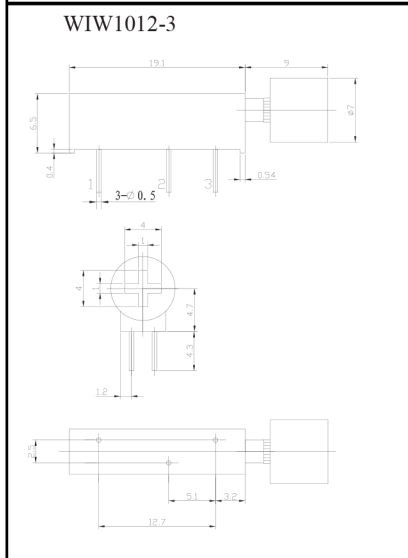
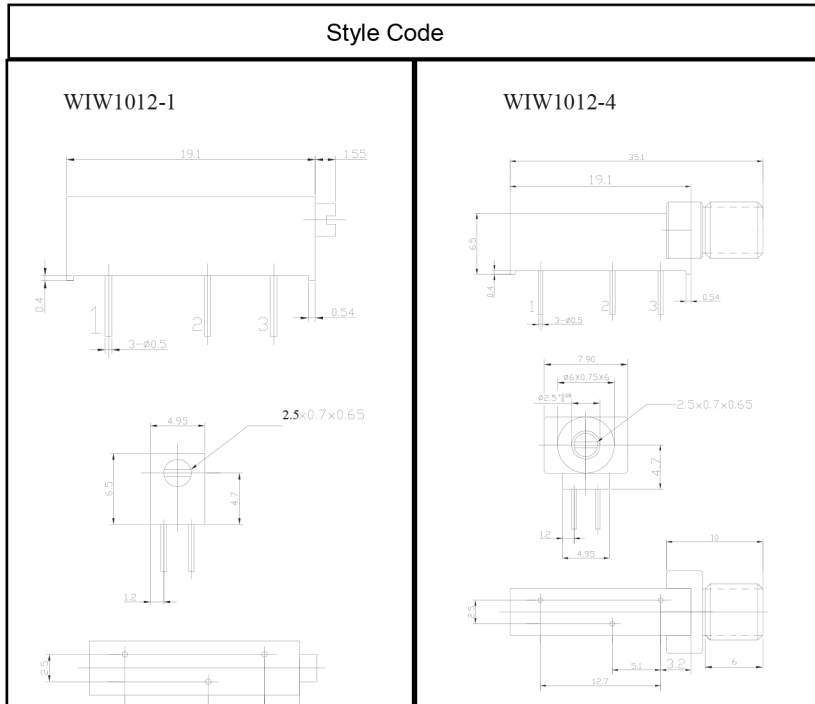
Load Life  
1,000 hours 0.5 watt @ 70°C  
(3% Δ TR; 4% or 4 ohm)

Rotational Life: 200 cycles  
(3% Δ TR; 4% or 4 ohm)

## Physical Characteristics

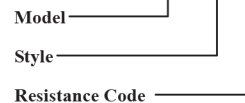
Torque  
15 mN • m max.

Standard Packaging  
25 pcs. per tube



## How to order

WIW1012—P—102



## Standard Resistance Table

Resistance (Ohms)	Resistance Code
100	101
200	201
500	501
1,000	102
2,000	202
5,000	502
10,000	103
20,000	203
25,000	253
50,000	503
100,000	104
200,000	204
250,000	254
500,000	504
1,000,000	105
2,000,000	205

Special resistance available  
Detail Specification: Q/R Y106-2002